

TITAN EXTRACTO[®] STUD REMOVER

- Ideal for hand held applications
- Engineered for the aircraft industry
- Removes or partially backs out studs
- Will not distort threads
- Saves studs for re-use

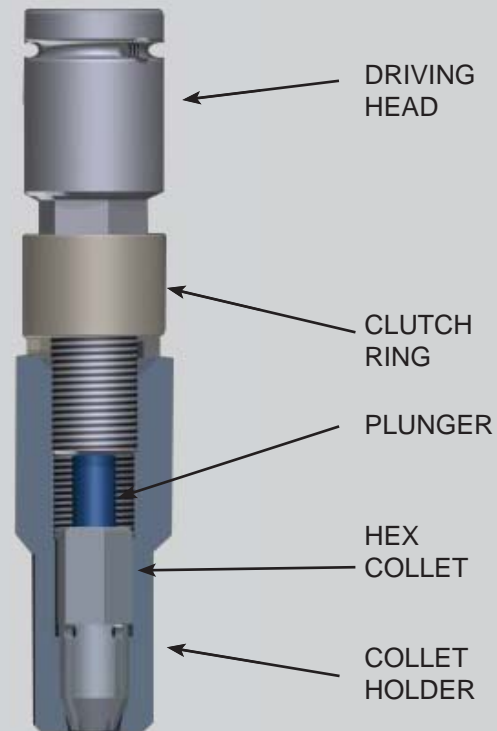


TITAN EXTRACTO® STUD REMOVER

"EXTRACTO" #1
for #10, 1/4" & 5/16" studs

"EXTRACTO" #2
for 5/16", 3/8" & 7/16" studs

"EXTRACTO" #3
for 7/16", 9/16" & 5/8" studs



The TITAN EXTRACTO® will extract studs or back them partially out if desired. They grip the thread on the nut end of the stud and will definitely not mar the threads. This permits the re-use of the studs for material savings. An additional saving on parts is realized due to the EXTRACTO® using the same Collet & Plunger, size for size, as the TITAN TARGET® STUD DRIVER. The small nose diameter of this tool permits its use in close quarters - a must for use on Aircraft Engines.

OPERATING INSTRUCTIONS FOR THE TITAN EXTRACTO® STUD REMOVER

1. Screw the "Extracto" onto the stud until the stud is moved slightly forward.
2. Remove the stud from the casting or work piece.
3. Grip the "Hex" on the Collet Holder and turn the handle and driving head to the right.
4. Take the stud out of the Stud Remover and return the handle and driving head to the original position. The Stud Remover is now ready to remove the next stud.

NOTE: The thread on the stem of this stud remover is LEFT HAND



TITAN® TOOL COMPANY, INC.

7410 West Ridge Road • P.O. Box 220 • Fairview, PA 16415
Phone (814) 474-1583 • FAX (814) 474-5337 • Email: titan@titantoolco.com