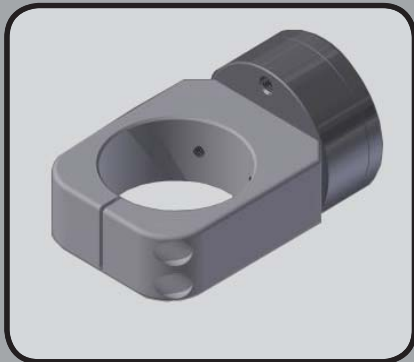


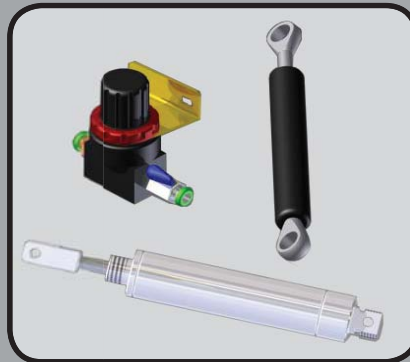
TITANMATE® OPTIONAL ACCESSORIES AND EQUIPMENT

All TitanMate models offer numerous standard accessories. Titan Tool Company also offers a wide range of optional accessories and equipment to fit most any application.

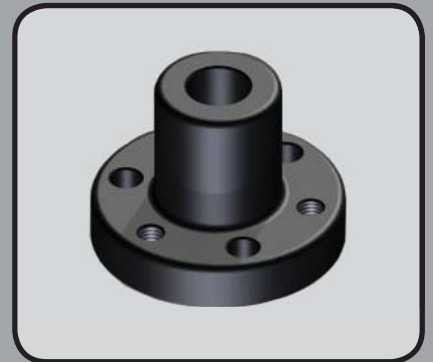
STANDARD EQUIPMENT



Adjustable Rigid Mount or Multi-Positional Mount (not shown)



Pneumatic cylinder, regulator, and gas spring combination

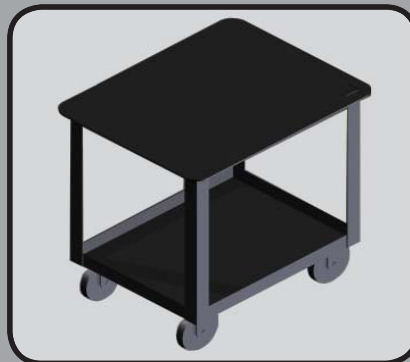


Steel base with three mounting holes and three leveling screws

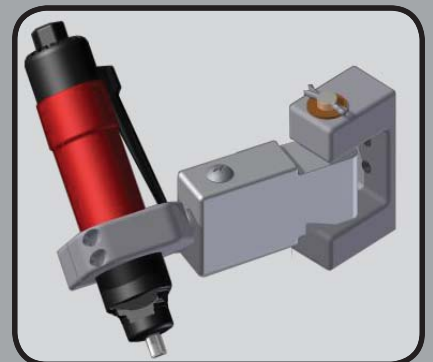
OPTIONAL EQUIPMENT AND ACCESSORIES



Air Motors, Quick Change Chucks, and tapping collets



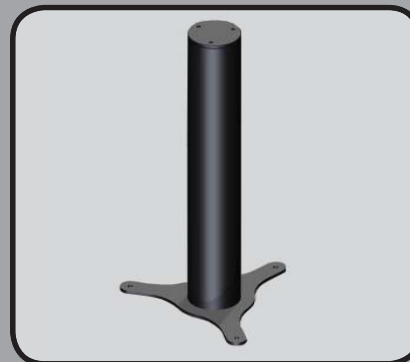
Heavy duty steel work carts



Custom Motor Mounts (swivel mount shown)



Stud Drivers and Removers



Custom heavy duty pedestals



Mechanical clutch units

TITAN® Quality Assembly Tools Since 1920

TITAN® TOOL COMPANY, INC.

7410 West Ridge Road • P.O. Box 220 • Fairview, PA 16415

Phone (814) 474-1583 • FAX (814) 474-5337 • Email: titan@titantoolco.com

