

BULL DOG[®] STUD DRIVER

- For Impact Driving
- Heavy Duty, Solid Type Design
- “Loose Plunger” assures quick release of stud upon reversal of impact wrench.

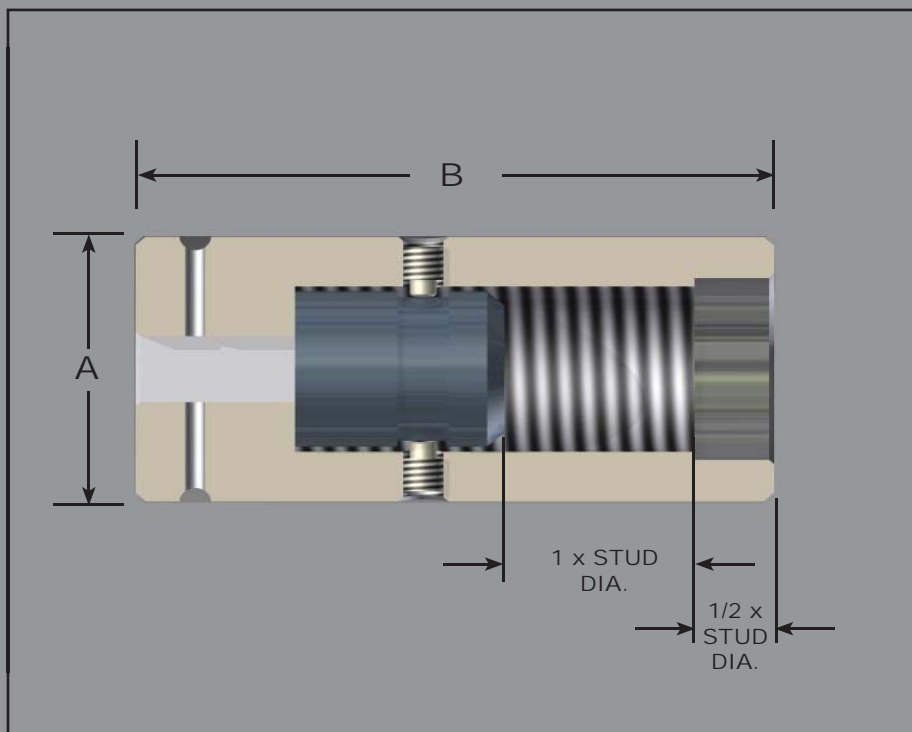


BULL DOG® STUD DRIVER

The BULL DOG is built for rugged use on impact wrenches. It is ideal for use in wheel and axle plants, locomotive shops, and plants building air compressors and similar heavy equipment.

Incorporating the Titan "loose plunger" design the BULL DOG assures an easy release from the driven stud, reducing the risk of pulling the stud back out of the casting.

Made of special alloy steels and heat treated to optimum levels, the TITAN BULL DOG definitely stands up under the extreme vibration of impact wrenches.



U.S. SIZES

DRIVE* SQUARE	STUD SIZE	TOOL NUMBER	A DIA. ± 1/32"	B O.A.L. ± 1/16"	WEIGHT (Pounds)
3/8"	1/4"-20	4B-20-6	7/8"	1 15/16"	.3
	1/4"-28	4B-28-6	7/8"	1 15/16"	.3
	5/16"-18	5B-18-6	7/8"	2 1/16"	.3
	5/16"-24	5B-24-6	7/8"	2 1/16"	.3
	3/8"-16	6B-16-6	7/8"	2 3/16"	.4
	3/8"-24	6B-24-6	7/8"	2 3/16"	.4
1/2"	1/4"-20	4B-20-8	1 1/4"	2 5/8"	.5
	1/4"-28	4B-28-8	1 1/4"	2 5/8"	.5
	5/16"-18	5B-18-8	1 1/4"	2 5/8"	.5
	5/16"-24	5B-24-8	1 1/4"	2 5/8"	.5
	3/8"-16	6B-16-8	1 1/4"	2 5/8"	.5
	3/8"-24	6B-24-8	1 1/4"	2 5/8"	.5
	7/16"-14	7B-14-8	1 1/4"	2 15/16"	.7
	7/16"-20	7B-20-8	1 1/4"	2 15/16"	.7
	1/2"-13	8B-13-8	1 1/4"	2 15/16"	.7
	1/2"-20	8B-20-8	1 1/4"	2 15/16"	.7
	9/16"-12	9B-12-8	1 1/4"	3 11/16"	1.1
	9/16"-18	9B-18-8	1 1/4"	3 11/16"	1.1
	5/8"-11	10B-11-8	1 1/4"	3 11/16"	1.1
	5/8"-18	10B-18-8	1 1/4"	3 11/16"	1.1
3/4"-10	12B-10-8	1 1/4"	3 11/16"	1.1	
3/4"-16	12B-16-8	1 1/4"	3 11/16"	1.1	
3/4"	1/2"-13	8B-13-12	1 15/16"	4 3/16"	2.4
	1/2"-20	8B-20-12	1 15/16"	4 3/16"	2.4
	9/16"-12	9B-12-12	1 15/16"	4 3/16"	2.4
	9/16"-18	9B-18-12	1 15/16"	4 3/16"	2.4
	5/8"-11	10B-11-12	1 15/16"	4 3/16"	2.4
	5/8"-18	10B-18-12	1 15/16"	4 3/16"	2.4
	3/4"-10	12B-10-12	1 15/16"	4 3/16"	2.3
	3/4"-16	12B-16-12	1 15/16"	4 3/16"	2.3
	7/8"-9	14B- 9-12	1 15/16"	4 11/16"	3
	7/8"-14	14B-12-12	1 15/16"	4 11/16"	3
	1"-8	16B- 8-12	1 15/16"	4 11/16"	2.9
	1"-12	16B-12-12	1 15/16"	4 11/16"	2.9
	1"-14	16B-14-12	1 15/16"	4 11/16"	2.9
	1 1/8"-7	18B- 7-12	2 15/16"	5 1/8"	4.7
	1 1/8"-8	18B- 8-12	2 15/16"	5 1/8"	4.7
	1 1/8"-12	18B-12-12	2 15/16"	5 1/8"	4.7
	1 1/4"-7	20B- 7-12	2 15/16"	5 1/8"	4.5
	1 1/4"-8	20B- 8-12	2 15/16"	5 1/8"	4.5
	1 1/4"-12	20B-12-12	2 15/16"	5 1/8"	4.5

METRIC SIZES

DRIVE* SQUARE	STUD SIZE	TOOL NUMBER	A DIA. ± .8mm	B O.A.L. ± 1.5mm	WEIGHT (Pounds)
3/8"	6 x 1.00	4MB-01-6	22	49	.3
	8 x 1.25	5MB-04-6	22	52.6	.3
	8 x 1.00	5MB-05-6	22	52.6	.3
	10 x 1.50	6MB-06-6	22	55.9	.4
	10 x 1.25	6MB-07-6	22	55.9	.4
1/2"	6 x 1.00	4MB-01-8	31.75	66.7	.5
	6.3 x 1.00	4MB-02-8	31.75	66.7	.5
	7 x 1.00	4MB-03-8	31.75	66.7	.5
	8 x 1.25	5MB-04-8	31.75	66.7	.5
	8 x 1.00	5MB-05-8	31.75	66.7	.5
	10 x 1.50	6MB-06-8	31.75	66.7	.5
	10 x 1.25	6MB-07-8	31.75	66.7	.7
	12 x 1.75	8MB-08-8	31.75	74.6	.7
	12 x 1.25	8MB-09-8	31.75	74.6	1.2
	14 x 2.00	9MB-10-8	31.75	93.7	1.2
	14 x 1.50	9MB-11-8	31.75	93.7	1.2
	16 x 2.00	10MB-12-8	31.75	93.7	1.2
	16 x 1.50	10MB-13-8	31.75	93.7	1.2
	18 x 2.50	12MB-14-8	31.75	93.7	1.2
	18 x 1.50	12MB-15-8	31.75	93.7	1.2
	20 x 2.50	12MB-16-8	31.75	93.7	1.2
20 x 1.50	12MB-17-8	31.75	93.7	1.2	
3/4"	12 x 1.75	8MB-01-12	49.2	106.4	2.4
	12 x 1.25	8MB-02-12	49.2	106.4	2.4
	14 x 2.00	9MB-03-12	49.2	106.4	2.4
	14 x 1.50	9MB-04-12	49.2	106.4	2.4
	16 x 2.00	10MB-05-12	49.2	106.4	2.4
	16 x 1.50	10MB-06-12	49.2	106.4	2.4
	18 x 2.50	12MB-07-12	49.2	106.4	2.4
	18 x 1.50	12MB-08-12	49.2	106.4	2.4
	20 x 2.50	12MB-09-12	49.2	106.4	2.3
	20 x 1.50	12MB-10-12	49.2	106.4	2.3
	22 x 2.50	14MB-11-12	49.2	119.1	3
	22 x 1.50	14MB-12-12	49.2	119.1	3
	24 x 3.00	16MB-13-12	49.2	119.1	2.9
	24 x 2.00	16MB-14-12	49.2	119.1	2.9
	27 x 3.00	16MB-15-12	49.2	119.1	2.9
	27 x 2.00	16MB-16-12	49.2	119.1	2.9
30 x 3.50	18MB-17-12	58.7	130.2	4.7	
30 x 2.00	18MB-18-12	58.7	130.2	4.7	
33 x 3.50	20MB-19-12	58.7	130.2	4.7	
33 x 2.00	20MB-20-12	58.7	130.2	4.7	

BULL DOG STUD DRIVER

U.S. SIZES						
DRIVE*	STUD SIZE	TOOL NUMBER	A DIA. ± 1/32"	B O.A.L. ± 1/16"	WEIGHT (Pounds)	
1"	3/4"-10	12B-10-16	2 7/16"	5 7/16"	6.5	
	3/4"-16	12B-16-16	2 7/16"	5 7/16"	6.5	
	7/8"-9	14B- 9-16	2 7/16"	5 7/16"	6.4	
	7/8"-14	14B-12-16	2 7/16"	5 7/16"	6.4	
	1"-8	16B- 8-16	2 7/16"	5 7/16"	6.3	
	1"-12	16B-12-16	2 7/16"	5 7/16"	6.3	
	1"-14	16B-14-16	2 7/16"	5 7/16"	6.3	
	1 1/8"-7	18B- 7-16	2 7/16"	5 7/16"	6.2	
	1 1/8"-8	18B- 8-16	2 7/16"	5 7/16"	6.2	
	1 1/8"-12	18B-12-16	2 7/16"	5 7/16"	6.2	
	1 1/4"-7	20B- 7-16	2 7/16"	5 7/16"	6	
	1 1/4"-8	20B- 8-16	2 7/16"	5 7/16"	6	
	1 1/4"-12	20B-12-16	2 7/16"	5 7/16"	6	
	1 3/8"-6	22B- 6-16	2 7/16"	5 7/16"	5.7	
	1 3/8"-8	22B- 8-16	2 7/16"	5 7/16"	5.7	
	1 3/8"-12	22B-12-16	2 7/16"	5 7/16"	5.7	
	1 1/2"-6	24B- 6-16	3 1/4"	6 7/8"	12.5	
	1 1/2"-8	24B- 8-16	3 1/4"	6 7/8"	12.5	
	1 1/2"-12	24B-12-16	3 1/4"	6 7/8"	12.5	
	1 5/8"-8	26B- 8-16	3 1/4"	6 7/8"	12.2	
	1 5/8"-12	26B-12-16	3 1/4"	6 7/8"	12.2	
	1 3/4"-5	28B- 5-16	3 1/4"	6 7/8"	11.8	
	1 3/4"-8	28B- 8-16	3 1/4"	6 7/8"	11.8	
	1 3/4"-12	28B-12-16	3 1/4"	6 7/8"	11.8	
	1 7/8"-8	30B- 8-16	3 1/4"	6 7/8"	11.4	
	1 7/8"-12	30B-12-16	3 1/4"	6 7/8"	11.4	
	2"-4 1/2	32B-4.5-16	3 1/4"	6 7/8"	11	
	2"-8	32B- 8-16	3 1/4"	6 7/8"	11	
	2"-12	32B-12-16	3 1/4"	6 7/8"	11	
	1 1/2"	1 1/4"-7	20B- 7-24	3 7/16"	7 7/8"	16.7
		1 1/4"-8	20B- 8-24	3 7/16"	7 7/8"	16.7
		1 1/4"-12	20B-12-24	3 7/16"	7 7/8"	16.7
		1 3/8"-6	22B- 6-24	3 7/16"	7 7/8"	16
		1 3/8"-8	22B- 8-24	3 7/16"	7 7/8"	16
		1 3/8"-12	22B-12-24	3 7/16"	7 7/8"	16
		1 1/2"-6	24B- 6-24	3 7/16"	7 7/8"	16
		1 1/2"-8	24B- 8-24	3 7/16"	7 7/8"	16
		1 1/2"-12	24B-12-24	3 7/16"	7 7/8"	16
		1 5/8"-8	26B- 8-24	3 7/16"	7 7/8"	15.9
		1 5/8"-12	26B-12-24	3 7/16"	7 7/8"	15.9
		1 3/4"-5	28B- 5-24	3 7/16"	7 7/8"	15.5
1 3/4"-8		28B- 8-24	3 7/16"	7 7/8"	15.5	
1 3/4"-12		28B-12-24	3 7/16"	7 7/8"	15.5	
1 7/8"-8		30B- 8-24	3 7/16"	7 7/8"	15	
1 7/8"-12		30B-12-24	3 7/16"	7 7/8"	15	
2"-4 1/2		32B-4.5-24	3 7/16"	7 7/8"	16	
2"-8		32B- 8-24	3 7/16"	7 7/8"	16	
2"-12		32B-12-24	3 15/16"	7 7/8"	16	
2 1/8"-8		34B- 8-24	3 15/16"	9"	20	
2 1/8"-12		34B-12-24	3 15/16"	9"	20	
2 1/4"-4 1/2		36B-4.5-24	3 15/16"	9"	25.2	
2 1/4"-8		36B- 8-24	3 15/16"	9"	25.2	
2 1/4"-12		36B-12-24	3 15/16"	9"	25.2	
2 3/8"-8		38B- 8-24	3 15/16"	9"	24.8	
2 3/8"-12		38B-12-24	3 15/16"	9"	24.8	
2 1/2"-4		40B- 4-24	4 3/4"	10 1/4"	46	
2 1/2"-8		40B- 8-24	4 3/4"	10 1/4"	46	
2 1/2"-12		40B-12-24	4 3/4"	10 1/4"	46	
2 3/4"-4		44B- 4-24	4 3/4"	10 1/4"	45	
2 3/4"-8		44B- 8-24	4 3/4"	10 1/4"	45	
2 3/4"-12		44B-12-24	4 3/4"	10 1/4"	45	
3"-4		48B- 4-24	4 3/4"	10 1/4"	44	
3"-8		48B- 8-24	4 3/4"	10 1/4"	44	
3"-12		48B-12-24	4 3/4"	10 1/4"	44	

METRIC SIZES					
DRIVE* SQUARE	STUD SIZE	TOOL NUMBER	A DIA. ± .8mm	B O.A.L. ± 1.5mm	WEIGHT (Pounds)
1"	18 x 2.50	12MB-01-16	61.9	138.1	7
	18 x 1.50	12MB-02-16	61.9	138.1	7
	20 x 2.50	12MB-03-16	61.9	138.1	7
	20 x 1.50	12MB-04-16	61.9	138.1	7
	22 x 2.50	14MB-05-16	61.9	138.1	7
	22 x 1.50	14MB-06-16	61.9	138.1	7
	24 x 3.00	16MB-07-16	61.9	138.1	6.5
	24 x 2.00	16MB-08-16	61.9	138.1	6.5
	27 x 3.00	16MB-09-16	61.9	138.1	6.5
	27 x 2.00	16MB-10-16	61.9	138.1	6.5
	30 x 3.50	18MB-11-16	61.9	138.1	6
	30 x 2.00	18MB-12-16	61.9	138.1	6
	33 x 3.50	20MB-13-16	61.9	138.1	6
	33 x 2.00	20MB-14-16	61.9	138.1	6

* The 1/2" female squares are equipped with a plain hole in one side for pin lock on male squares, and have a set screw in the other side.

The 3/4", 1", and 1 1/2" female squares are equipped with a cross pin and an "O"-Ring.

Larger sizes quoted on request.



TITAN BULL DOG STUD DRIVERS are built tough for heavy duty impact driving. Superior strength, durability, optimum heat treat qualities, and a wide range of U.S. and Metric sizes make Bull Dogs the choice of engineers throughout

American industry and many foreign markets. Whether you manufacture automobiles, trucks, tractors, locomotives, or build oil drilling rigs, TITAN BULL DOG STUD DRIVERS stand up to the job.

IMPORTANT - INCLUDE SAMPLE STUD WITH ORDER



TITAN® TOOL COMPANY, INC.

7410 West Ridge Road • P.O. Box 220 • Fairview, PA 16415
Phone (814) 474-1583 • FAX (814) 474-5337 • Email: titan@titantoolco.com